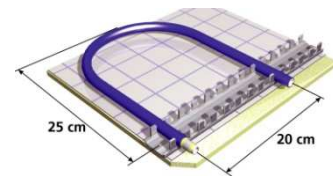
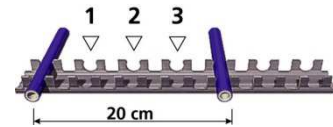
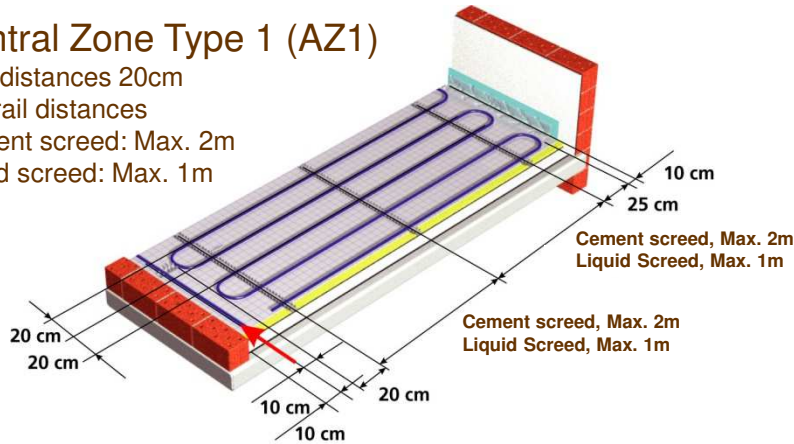


System STANDARD

Installation Guide – Pipe distances Central Zone

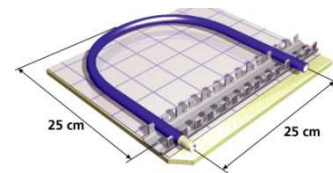
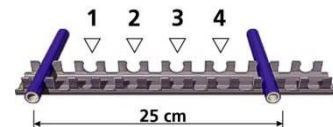
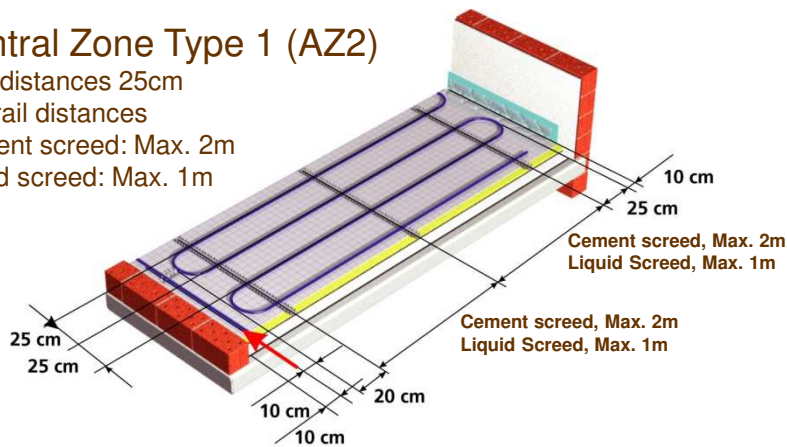
Central Zone Type 1 (AZ1)

Pipe distances 20cm
Clip rail distances
Cement screed: Max. 2m
Liquid screed: Max. 1m



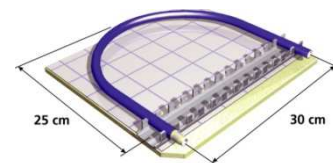
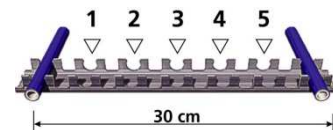
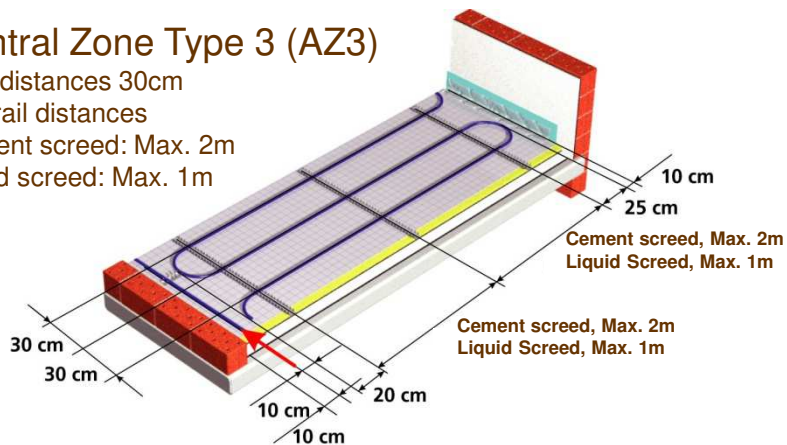
Central Zone Type 1 (AZ2)

Pipe distances 25cm
Clip rail distances
Cement screed: Max. 2m
Liquid screed: Max. 1m



Central Zone Type 3 (AZ3)

Pipe distances 30cm
Clip rail distances
Cement screed: Max. 2m
Liquid screed: Max. 1m



System STANDARD

Installation Guide – Pipe distances Edge Zone

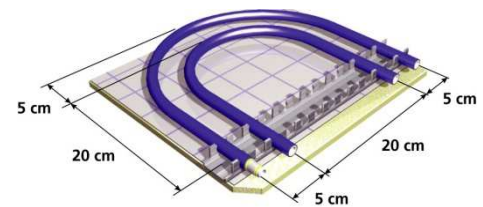
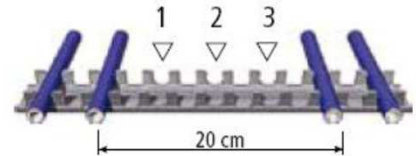
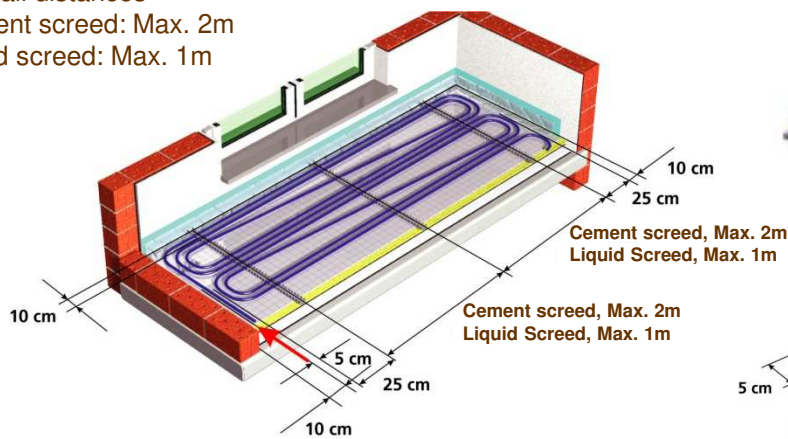
Edge Zone Type 1 (RZ1)

Pipe distances 8.8cm

Clip rail distances

Cement screed: Max. 2m

Liquid screed: Max. 1m



Edge Zone Type 2 (RZ2)

Pipe distances 12cm

Clip rail distances

Cement screed: Max. 2m

Liquid screed: Max. 1m

